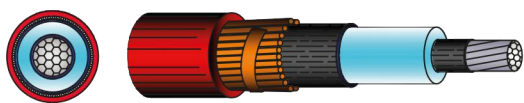


MV CABLE CONNECTORS

Cable connectors C type, 1 core, In = 630 A & 1250 A

T compact cable connectors for switchgear and transformers. The kit consists of an insulating body, cable reducer, screw connector, protection cap, mastics and lugs.

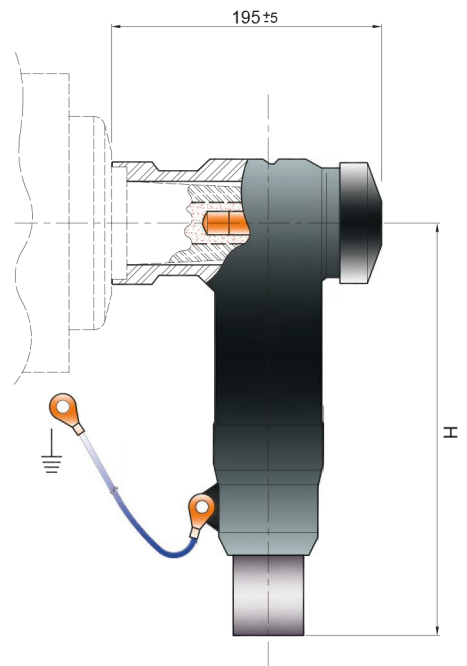
Compliant with standards
CENELEC HD 629.1 S2, CEI 20-62/1



Single Core Polymeric Wire



Single Core Al Tube



List of available kits suitable for the use with crimping lugs. Lugs included.

Famiglia Prodotti Type	Tensioni Voltage U ₀ /U/U _{max} [kV]	Corrente Nominale Rated Current [A]	Sezioni Cavi Cable Range [mm ²]	Rif. Ordine Ordering Info	Variante Armatura Armouring	Variante Schermo Cable Shield	H [mm]	
EST TCE 63C	12/20/24	630	95	ES TCE 2463C U 095	<input type="checkbox"/> <input type="checkbox"/>	X	W or A	230
		630	120	ES TCE 2463C U 120	<input type="checkbox"/> <input type="checkbox"/>	X	W or A	230
		630	150	ES TCE 2463C U 150	<input type="checkbox"/> <input type="checkbox"/>	X	W or A	230
		630	185	ES TCE 2463C U 185	<input type="checkbox"/> <input type="checkbox"/>	X	W or A	230
		630	240	ES TCE 2463C U 240	<input type="checkbox"/> <input type="checkbox"/>	X	W or A	230
		630	300	ES TCE 2463C U 300	<input type="checkbox"/> <input type="checkbox"/>	X	W or A	250
	18/30/36	630	95	ES TCE 3663C U 095	<input type="checkbox"/> <input type="checkbox"/>	X	W or A	250
		630	120	ES TCE 3663C U 120	<input type="checkbox"/> <input type="checkbox"/>	X	W or A	250
		630	150	ES TCE 3663C U 150	<input type="checkbox"/> <input type="checkbox"/>	X	W or A	250
		630	185	ES TCE 3663C U 185	<input type="checkbox"/> <input type="checkbox"/>	X	W or A	250
		630	240	ES TCE 3663C U 240	<input type="checkbox"/> <input type="checkbox"/>	X	W or A	250
		630	300	ES TCE 3663C U 300	<input type="checkbox"/> <input type="checkbox"/>	X	W or A	250
EST TCE 125C	12/20/24	1250	400	ES TCE 24125C U 400	<input type="checkbox"/> <input type="checkbox"/>	X	W or A	390
		1250	500	ES TCE 24125C U 500	<input type="checkbox"/> <input type="checkbox"/>	X	W or A	390
		1250	630	ES TCE 24125C U 630	<input type="checkbox"/> <input type="checkbox"/>	X	W or A	390
	18/30/36	1250	400	ES TCE 36125C U 400	<input type="checkbox"/> <input type="checkbox"/>	X	W or A	390
		1250	500	ES TCE 36125C U 500	<input type="checkbox"/> <input type="checkbox"/>	X	W or A	390
		1250	630	ES TCE 36125C U 630	<input type="checkbox"/> <input type="checkbox"/>	X	W or A	390