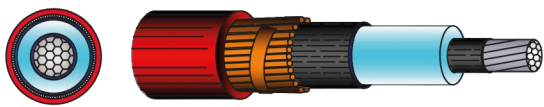


MV CABLE CONNECTORS

Elbow connectors A type, 1 core, In = 250 A

Elbow connector for switchgear and transformers. The kit consists of an insulating body, cable reducer, connection pin, bail straight, mastics and lugs.

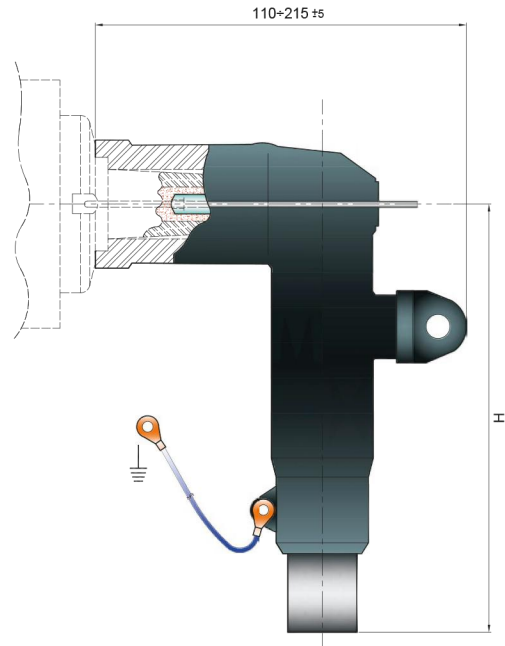
Compliant with standards
CENELEC HD 629.1 S2, CEI 20-62/1



Single Core Polymeric Wire



Single Core Al Tube



List of available kits suitable for the use with crimping lugs. Lugs included.

Famiglia Prodotti Type	Tensioni Voltage U ₀ /U/U _{max} [kV]	Corrente Nominale Rated Current [A]	Sezioni Cavi Cable Range [mm ²]	Rif. Ordine Ordering Info	Variante Armatura Armouring	Variante Schermo Cable Shield	H [mm]
EST TCE 25A	12/20/24	250	25	ES TCE 2425A U 025 □ □	X	W or A	230
		250	35	ES TCE 2425A U 035 □ □	X	W or A	230
		250	50	ES TCE 2425A U 050 □ □	X	W or A	230
		250	70	ES TCE 2425A U 070 □ □	X	W or A	230
		250	95	ES TCE 2425A U 095 □ □	X	W or A	230
		250	120	ES TCE 2425A U 120 □ □	X	W or A	250
		250	150	ES TCE 2425A U 150 □ □	X	W or A	250
		250	185	ES TCE 2425A U 185 □ □	X	W or A	250
		250	240	ES TCE 2425A U 240 □ □	X	W or A	250
		250	300	ES TCE 2425A U 300 □ □	X	W or A	250