

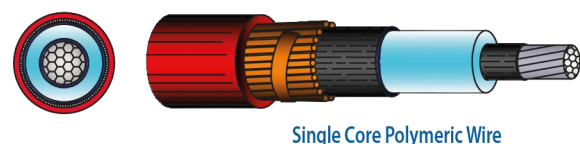
# COLD SHRINKABLE TERMINATIONS for MV polymeric cable

## Indoor termination for 1 core cable with wire screen

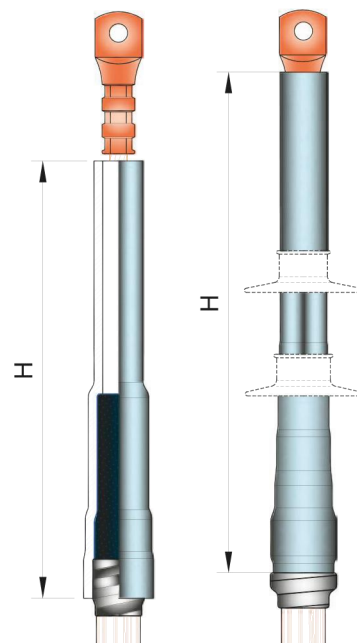
The kit consists of stress control element, cold-shrink anti-tracking body as well as cold-shrink rain sheds where indicated. Also available in a shorter version with uncovered lugs for voltages up to 24 kV (type TIS 73F).

Compliant with standards

CENELEC HD 629.1 S2, CEI 2062/1



Single Core Polymeric Wire



List of available kits suitable for crimp lugs. Lugs not included.

Famiglia Prodotti Type	Tensioni Voltage U <sub>0</sub> /U/U <sub>max</sub> [kV]	Sezioni Cavi Cable Range [mm <sup>2</sup> ]	Rif. Ordine Ordering Info	Variante Armatura Armouring	Variante Schermo Cable Shield	H [mm]	Campane/Fase Rain Sheds/Core
ECTIS 73	3,6/6/7,2	25/35	EC TIS 0773 M 035 □ □	X	W	240	0
		50/95	EC TIS 0773 M 095 □ □	X	W	240	0
		120/240	EC TIS 0773 M 240 □ □	X	W	240	0
		300	EC TIS 0773 M 300 □ □	X	W	240	0
		400/500	EC TIS 0773 M 500 □ □	X	W	240	0
	6,35/11/12	25/50	EC TIS 1273 M 050 □ □	X	W	320	0
		70/185	EC TIS 1273 M 185 □ □	X	W	320	0
		120/240	EC TIS 1273 M 240 □ □	X	W	320	0
		300/630	EC TIS 1273 M 630 □ □	X	W	320	0
	8,7/15/17,5	25/50	EC TIS 1773 M 050 □ □	X	W	320	0
		50/185	EC TIS 1773 M 185 □ □	X	W	320	0
		120/240	EC TIS 1773 M 240 □ □	X	W	320	0
		300/630	EC TIS 1773 M 630 □ □	X	W	320	0
	12/20/24	25/50	EC TIS 2473 M 050 □ □	X	W	340	0
		35/70	EC TIS 2473 M 070 □ □	X	W	340	0
		50/185	EC TIS 2473 M 185 □ □	X	W	340	0
		70/150	EC TIS 2473 M 150 □ □	X	W	340	0
		120/240	EC TIS 2473 M 240 □ □	X	W	340	0
		300/630	EC TIS 2473 M 630 □ □	X	W	340	0
	19/33/36	35/70	EC TIS 3673 M 070 □ □	X	W	650	2
95/240		EC TIS 3673 M 240 □ □	X	W	650	2	
240/500		EC TIS 3673 M 500 □ □	X	W	650	2	

List of available kits in shorter version suitable for crimp lugs. Lugs not included.

Famiglia Prodotti Type	Tensioni Voltage U <sub>0</sub> /U/U <sub>max</sub> [kV]	Sezioni Cavi Cable Range [mm <sup>2</sup> ]	Rif. Ordine Ordering Info	Variante Armatura Armouring	Variante Schermo Cable Shield	H [mm]	Campane/Fase Rain Sheds/Core
ECTIS 73F	12/20/24	25/50	EC TIS 2473F U 050 □ □	X	W	260	0
		50/185	EC TIS 2473F U 185 □ □	X	W	260	0