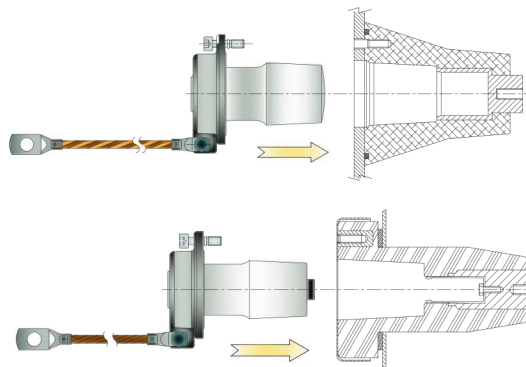


# MV INNER CONE PLUG-IN TERMINATIONS

## Electrical insulation plug for inner cone bushings - $I_n = 250\text{ A}$ and $400\text{ A}$

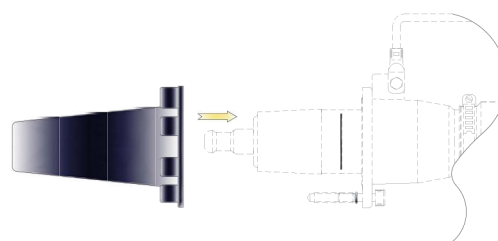
The kit consists of a rubber insulator, preassembled aluminum flange and a complete earthing kit.



List of available kit.

Famiglia Prodotti Type	Tensioni Voltage $U_0/U/U_{max}$ [kV]	Corrente Nominale Rated Current [A]	Rif. Ordine Ordering Info
ESTPE	12/20/24	250	ES TPE 250
		400	ES TPE 400

## Protective mechanical cap for separable PLUG-IN termination kit, 1 core, $I_n = 250\text{ A}$ and $400\text{ A}$



List of available kit.

Famiglia Prodotti Type	Idoneo per terminali Suitable for termination	Rif. Ordine Ordering Info
ES TPM	250 A - 400 A	ES TPM 0 - 1