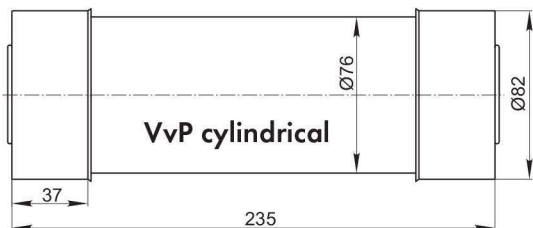


Fuses for Railways

General information

Type: VvP cylindrical type
 Rated Voltage: 3000 V
 Max Voltage: 3850 V
 Rated current: 25 A, 50 A
 Weight: 2,4 kg

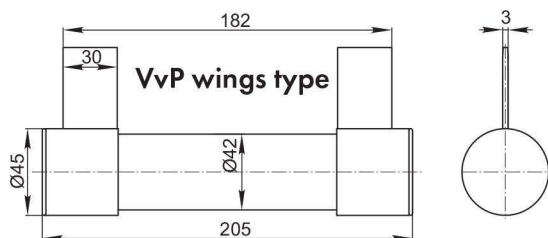


Type	Order No	Rated current	Rated voltage
		A	V
VvP cylindrical 25A	1513025	25	3850
VvP cylindrical 50A	1513050	50	3850

Note: The fuse link are intended to protect passenger coaches

General information

Type: VvP wings type
 Rated Voltage: 1500 V
 Max Voltage: 1800 V
 Rated current: 4 ... 16 A
 Weight: 0,45 kg

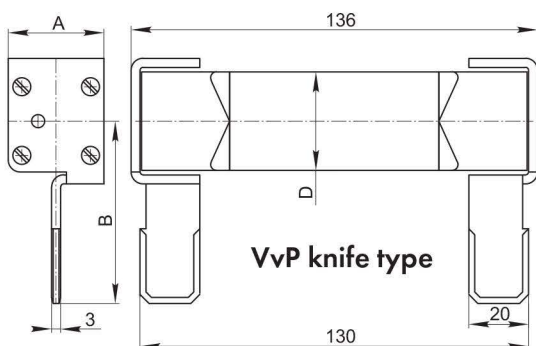


Type	Order No	Rated current	Rated voltage
		A	V
VvP wings type 10A	1521510	10	1500
VvP wings type 16A	1521516	16	1500
VvP wings type 20A	1521520	20	1500

Note: The fuse link are intended to protect passenger coaches

General information

Type: VvP knife type
 Rated Voltage: 1000 V
 Rated current: 16 A, 25 A, 50 A



Type	Order No	Rated current	Rated voltage	Dimensions			Weight
		A	V	A	B	D	kg.
		mm					
VvP knife type 1000V/16A	1531016	16	1000	32	61.5	Ø33	0.38
VvP knife type 1000V/25A	1531025	25	1000	32	61.5	Ø33	0.38
VvP knife type 1000V/50A	1531050	50	1000	42	66.5	Ø43	0.60

Fuses for Railways

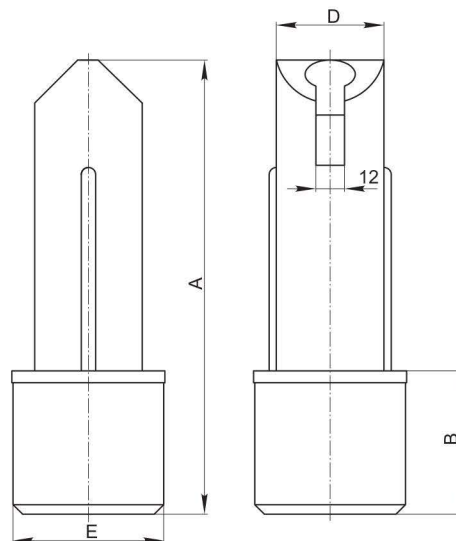
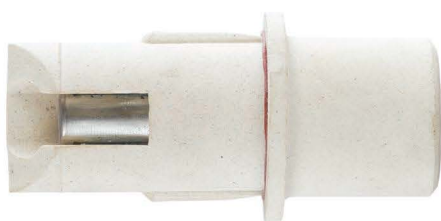
General information

Type:
Rated Voltage
Rated current

VvP rocket type
1500 V, 3850 V
1.5 A, 2.5A

Type	Order No	Rated current	Rated voltage	Dimensions				Weight
		A	V	A	B	D	E	kg.
mm								
VvP rocket type 1500V/1,5A	1541501	1,5	1500	93.5	37	33.5	35	0.16
VvP rocket type 3850V/2A	1543002	2	3850	190	60	45	63	0.76

VvP rocket type

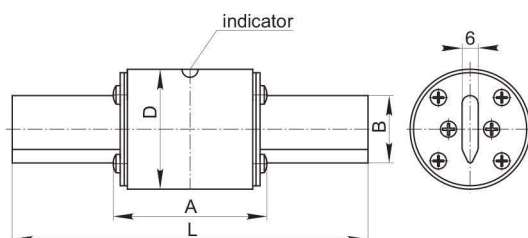


General information

Type:
Class
Rated Voltage

VPNN types G2 and G4
gG
500 V

VPNN type G2 G4



Type	Order No	Rated current	Dimensions				Weight
			A	L	B	D	
mm							
VPNN type G2 32A	1552032	32	132	25	44.5	56	0.3
VPNN type G2 40A	1552040	40	132	25	44.5	56	0.3
VPNN type G2 50A	1552050	50	132	25	44.5	56	0.3
VPNN type G2 63A	1552063	63	132	25	44.5	56	0.3
VPNN type G2 75A	1552075	75	132	25	44.5	56	0.3
VPNN type G2 100A	1552100	100	132	25	44.5	56	0.3
VPNN type G2 125A	1552125	125	132	25	44.5	56	0.3
VPNN type G2 150A	1552150	150	132	25	44.5	56	0.3
VPNN type G2 200A	1552200	200	132	25	44.5	56	0.3
VPNN type G2 250A	1552250	250	132	25	44.5	56	0.3
VPNN type G4 200A	1554200	200	160	32	54.5	65	0.53
VPNN type G4 250A	1554250	250	160	32	54.5	65	0.53
VPNN type G4 315A	1554315	315	160	32	54.5	65	0.53
VPNN type G4 400A	1554400	400	160	32	54.5	65	0.53