

# High-power Indoor Disconnecting Switches

## General information

Type:	RM PM
Class	air insulated
Standard	IEC 62271-102
Earthing	Yes
Mounting	indoor, vertical
Insulators	porcelain
Operation	Manual

## Tipology

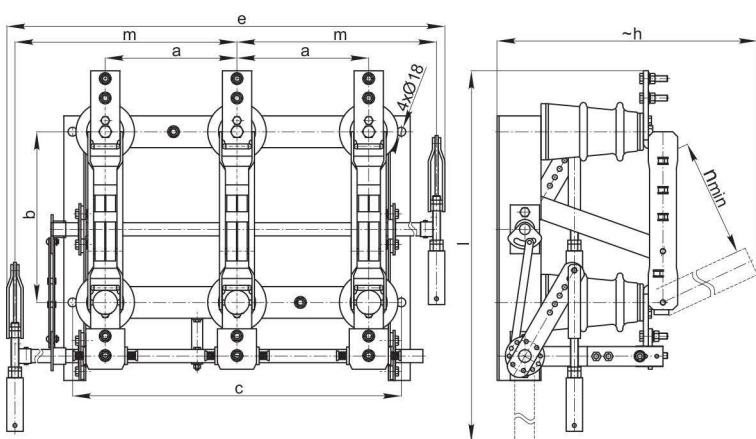
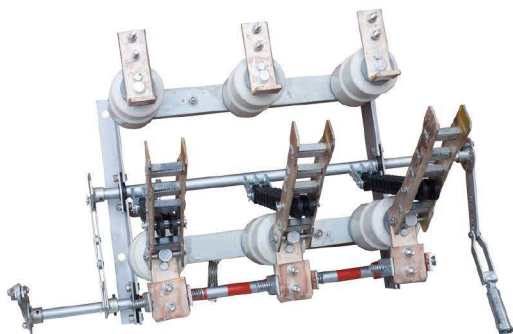
RM	Switch
RMZk	Switch with earthing cable side
RMZ	Switch with earthing on top

Type	Order No	Rated voltage	Rated current	Short time current	Peak current	Test Voltage				Weight
						AC		Impulse		
						between current-carrying parts and earth	between open contacts	between current-carrying parts and earth	between open contacts	
Unit		kV	A	kAeff	kAmax	kV	kV	kV	kV	kg
RM PM	6112800	12	800	16	40	35	45	75	85	45
	6112100	12	1000	16	40	35	45	75	85	45
	6112125	12	1250	16	40	35	45	75	85	45
	6112160	12	1600	16	40	35	45	75	85	120
	6112255	12	2500	16	40	35	45	75	85	120
	6112300	12	3000	16	40	35	45	75	85	120
RMZk, RMZ PM3k, PM3	6212800	12	800	16	40	35	45	75	85	55
	6212100	12	1000	16	40	35	45	75	85	55
	6212125	12	1250	16	40	35	45	75	85	55
	6212160	12	1600	16	40	35	45	75	85	134
	6212255	12	2500	16	40	35	45	75	85	134
	6212300	12	3000	16	40	35	45	75	85	134
RM PM	6124800	24	800	16	40	55	75	125	145	62
	6124100	24	1000	16	40	55	75	125	145	62
	6124125	24	1250	16	40	55	75	125	145	62
	6124160	24	1600	16	40	55	75	125	145	150
	6124255	24	2500	16	40	55	75	125	145	150
	6124300	24	3000	16	40	55	75	125	145	150
RMZk, RMZ PM3k, PM3	6224800	24	800	16	40	55	75	125	145	75
	6224100	24	1000	16	40	55	75	125	145	75
	6224125	24	1250	16	40	55	75	125	145	75
	6224160	24	1600	16	40	55	75	125	145	170
	6224255	24	2500	16	40	55	75	125	145	170
	6224300	24	3000	16	40	55	75	125	145	170

		Dimensions							
KV		a	b	c	e	h	i	m	nmin
		mm							
12	1250A	215	270	564	930	550	735	449	155
24	1250A	270	350	674	1160	715	870	562	245
12	1600A	330	300	910	1260	626	810	613	185
24	1600A	400	410	1058	1358	775	990	662	285

# High-power Indoor Disconnecting Switch

RMZk 1250A



RMZk 3000A

