

# Indoor Disconnecting Switches

## General information

Type:	RM
Class	air insulated
Standard	IEC 62271-102
Earthing	Yes
Mounting	indoor, vertical
Insulators	porcelain, epoxy resin
Operation	Manual hand drive RLZ 15

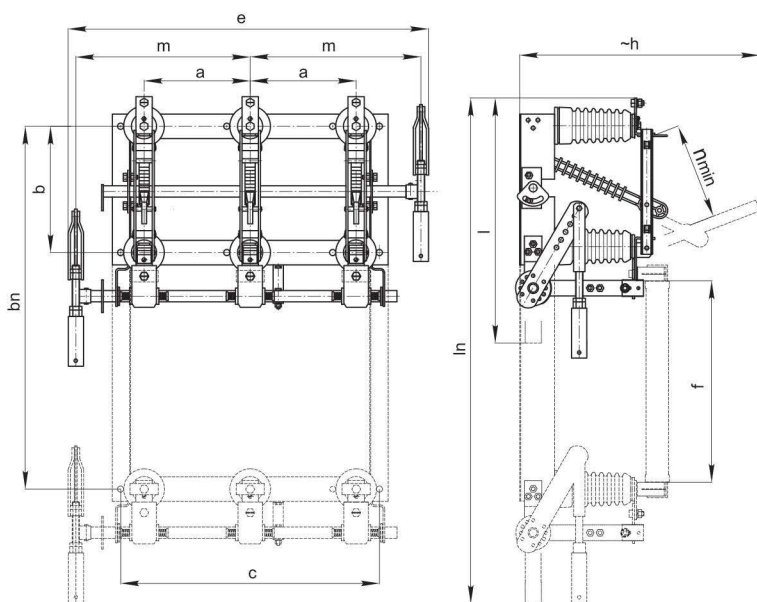
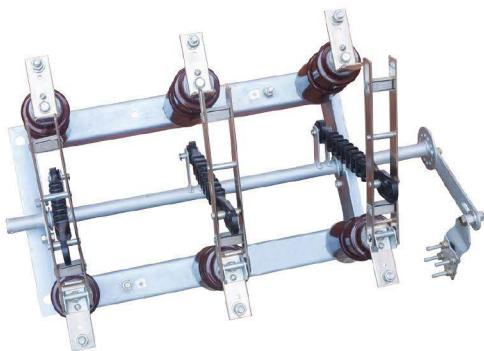
## Tipology

RM	Switch
RMZk	Switch with earthing cable side
RMZ	Switch with earthing on top
RMP	Switch with fuse holders
RMZkP	Switch with earthing cable side and fuse holders

Type	Order No	Rated voltage	Rated current	Short time current	Peak current	Test Voltage				Weight
						AC		Impulse	1,2/50µs	
						between current-carrying parts and earth	between open contacts			
Unit		kV	A	kAeff	kAmax	kV	kV	kV	kV	kg
RM	6112200	12	200	20	50	35	45	75	85	28
	6112400	12	400	20	50	35	45	75	85	28
	6112630	12	630	16	40	35	45	75	85	30
RMZk	6212200	12	200	20	50	35	45	75	85	32
	6212400	12	400	20	50	35	45	75	85	32
	6212630	12	630	16	40	35	45	75	85	34
RMZ	6312200	12	200	20	50	35	45	75	85	32
	6312400	12	400	20	50	35	45	75	85	32
	6312630	12	630	16	40	35	45	75	85	32
RMP	6412200	12	200	20	50	35	45	75	85	38
	6412400	12	400	20	50	35	45	75	85	38
	6412630	12	630	16	40	35	45	75	85	40
RMZkP	6512200	12	200	20	50	35	45	75	85	42
	6512400	12	400	20	50	35	45	75	85	42
	6512630	12	630	16	40	35	45	75	85	44
RM	6124200	24	200	16	40	55	75	125	145	32
	6124400	24	400	16	40	55	75	125	145	32
	6124630	24	630	16	40	55	75	125	145	35
RMZk	6224200	24	200	16	40	55	75	125	145	38
	6224400	24	400	16	40	55	75	125	145	38
	6224630	24	630	16	40	55	75	125	145	41
RMZ	6324200	24	200	16	40	55	75	125	145	38
	6324400	24	400	16	40	55	75	125	145	38
	6324630	24	630	16	40	55	75	125	145	41
RMP	6424200	24	200	16	40	55	75	125	145	44
	6424400	24	400	16	40	55	75	125	145	44
	6424630	24	630	16	40	55	75	125	145	47
RMZkP	6524200	24	200	16	40	55	75	125	145	50
	6524400	24	400	16	40	55	75	125	145	50
	6524630	24	630	16	40	55	75	125	145	53
RM	6136200	36	200	16	40	75	100	170	195	98
	6136400	36	400	16	40	75	100	170	195	98
	6136630	36	630	16	40	75	100	170	195	103
RMZk	6236200	36	200	16	40	75	100	170	195	110
	6236400	36	400	16	40	75	100	170	195	110
	6236630	36	630	16	40	75	100	170	195	115
RMZ	6336200	36	200	16	40	75	100	170	195	110
	6336400	36	400	16	40	75	100	170	195	110
	6336630	36	630	16	40	75	100	170	195	115
RMP	6436200	36	200	16	40	75	100	170	195	122
	6436400	36	400	16	40	75	100	170	195	122
	6436630	36	630	16	40	75	100	170	195	127
RMZkP	6536200	36	200	16	40	75	100	170	195	134
	6536400	36	400	16	40	75	100	170	195	134
		36	630	16	50	75	100	170	195	139

# Indoor Disconnecting Switches

RMZkP



KV	Dimensions										
	a	b	bn	c	e	f	h	l	ln	m	n <sub>min</sub>
	mm										
12	190	230	627	492	816	295	510	640	1106	400	170
24	260	310	857	632	992	445	630	780	1340	479	245
36	375	460	1102	886	1407	540	900	1065	1707	687	390