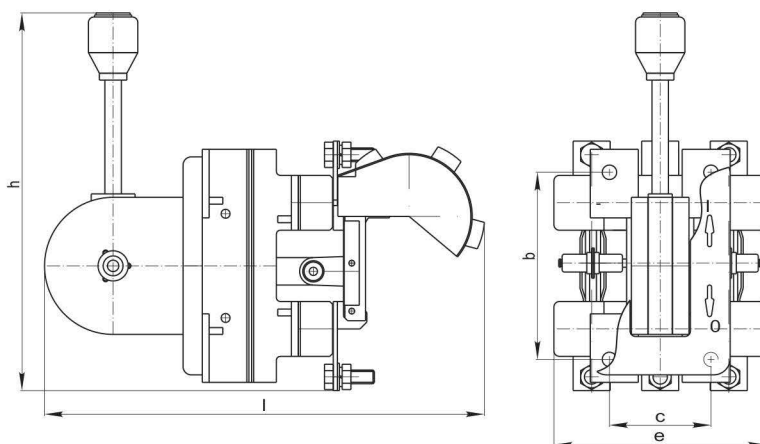
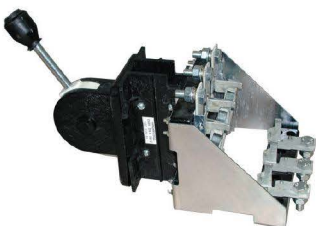


# Lever breakers

Type	Order No	Rated voltage	Rated current	Weight	Dimensions				
		kV	A		kg	b	c	d	h
mm									
VLDK	8100250	0.5	250	3	136	74	155	275	320
	8100400	0.5	400	4.5	136	74	205	303	370
	8100630	0.5	630	6.3	136	74	205	300	370
	8101000	0.5	1000	11.5	136	74	250	330	420
PLDK	8200250	0.5	250	3.6	136	74	180	290	330
	8200400	0.5	400	7.2	136	74	255	320	385
	8200630	0.5	630	8.5	136	74	255	320	385

VLDK

PLDK



Type	Order No	Rated voltage <i>Hom.</i>	Rated current	Weight	Dimensions				
		kV	A		kg	b	c	d	h
mm									
RM1 PM1	8300400	1	400	15	110	360	165	410	250
	8301000	1	1000	22	120	400	170	450	265

RM1kV

