

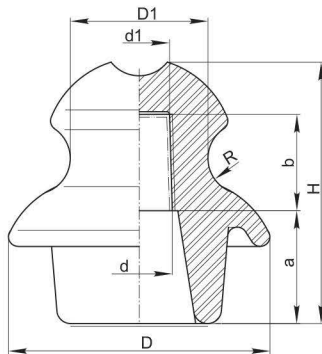
Low Voltage Pin Type Insulators

General information

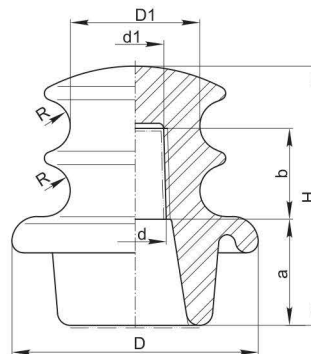
Type:	IPNN
Glaze colour:	Brown / white
Material:	porcelain
Dimensions:	DIN 48150
Application:	Low voltage overhead distribution lines

Type	Order No	Creepage Distance	Technical Data			Dimensions							
			Wet Power Freq. Withstand Voltage	Bending Failing Load	Weight	H	D	D1	d	d1	a	b	R
			mm	kV	kg	kg	mm						
IPNN 80	9151800	120	10	1250	0.400	85	80	42	21	19	38	30	9
IPNN 95	9151950	140	10	1250	0.620	95	95	50	24	22	41	35	13
IPNN 95/2	9151952	130+30	10	1250	0.620	100	95	50	24	22	41	35	10

IPNN 80



IPNN 95/2



Note: All insulators can be produced upon customer's special request