

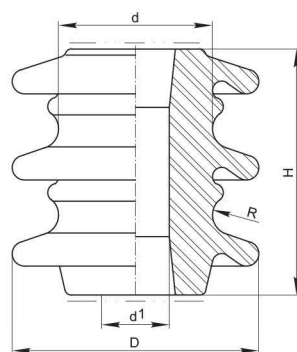
Low Voltage Shackle and Rill type insulators

General information

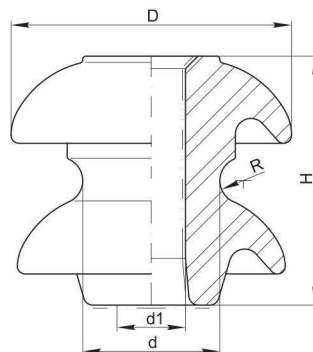
Type:	S, VK, Rill
Glaze colour	Brown / white
Material	porcelain порцелан KER 110-1
Dimensions	TS 76/2
Testing	TS 76
Application	Low voltage overhead distribution lines

Type	Order No	Creepage Distance	Technical Data			Dimensions					
			Wet Power Freq. Withstand Voltage	Bending Failing Load	Weight	H	h	D	d	d1	R
			kV	kg	kg	mm					
S80	9251080	60	10	1500	0.480	80	-	80	50	22	6.5
S115	9251115	75	10	2000	1.350	115	-	115	72	32	8
VK-1	9251001	75	10	1000	0.570	80	-	94	44	22	7.5
Rill 55/55	9251555	60	-	200	0.250	55	20	55	23	-	-
Rill 80/80	9251888	90	-	200	0.700	80	30	80	23	-	-

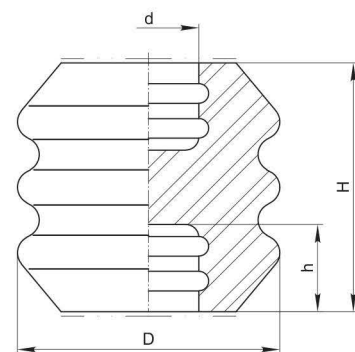
S80 S115



VK-1



RILL



Note: All insulators can also be produced with metal pin and dimensions upon customer's special request