

On-load Disconnecting Switches for outdoor vertical mounting

General information

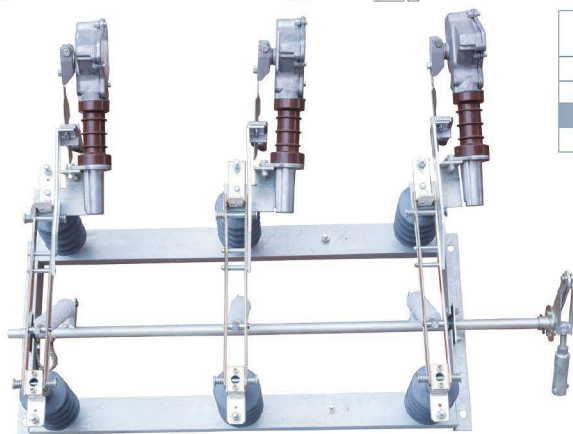
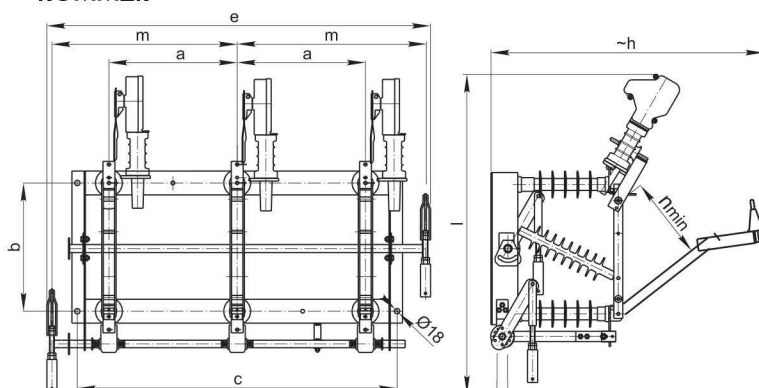
Type:	ROMM
Class	air insulated
Standard	IEC 62271-102, IEC 60265, IEC 60694
Earthing	Yes
Mounting	outdoor, vertical
Insulators	porcelain, silicon
Operation	Manual hand drive RLZ 31

Tipology

ROMM PMM	On-load Switch
ROMMZk PMM3k	On-load switch with earthing cable side

Type	Order No	Rated voltage	Rated current	Short time current	Peak current	Test Voltage				Weight
						AC	50Hz	Impulse	1,2/50 μ s	
						between current-carrying parts and earth	between open contacts	between current-carrying parts and earth	between open contacts	
Unit		kV	A	kAeff	kAmax	kV	kV	kV	kV	kg
ROMM PMM	7512400	12	400	20	50	35	45	75	85	60
	7512630	12	630	20	50	35	45	75	85	60
ROMMZk PMM3k	7612400	12	400	20	50	35	45	75	85	70
	7612630	12	630	20	50	35	45	75	85	70
ROMM PMM	7524400	24	400	20	50	55	75	125	145	95
	7524630	24	630	20	50	55	75	125	145	95
ROMMZk PMM3k	7624400	24	400	20	50	55	75	125	145	110
	7624630	24	630	20	50	55	75	125	145	110

ROMMZk



KV	Dimensions							
	a	b	c	e	h	i	m	n _{min}
	mm							
12	370	315	904	1333	715	1055	650	210
24	430	430	1072	1573	915	1265	770	310