

Operating Rod Insulators

General information

Type:	Straight, Spiral
Glaze colour	Brown, white
Material	porcelain <i>порцелан</i> KER 110-1
Dimensions	IEC 60273
Testing	IEC 60168
Application	In disconnecting switches

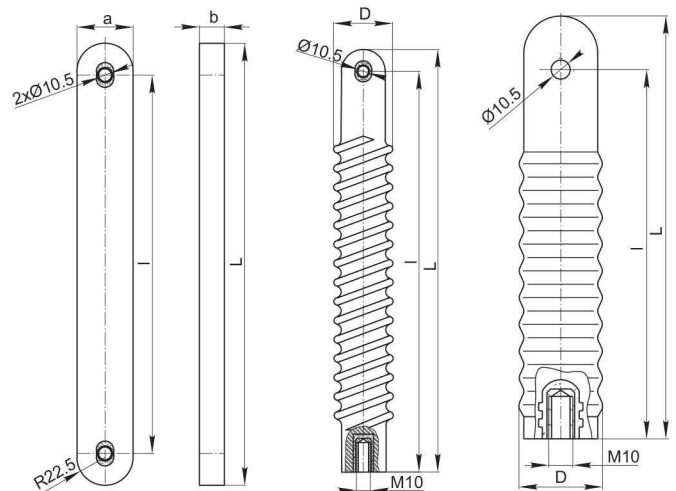
Type	Order No	Technical Data					Dimensions				
		Creepage Distance	Torsion Failing Load	Wet Power Freq. Withstand Voltage	Lightning Impulse Withsatnd Voltage	Weight	L	l	a	b	D
		mm	N	kV	kV	kg	mm				
Straight 10kV indoor	9710001	-	5000	-	75	1.000	292	248	45	20	-
Straight 20kV indoor	9720001	-	5000	-	120	1.500	380	330	45	20	-
Straight 35kV indoor	9730001	-	5000	-	180	2.800	505	454	45	20	-
Spiral 10kV outdoor	9710002	280	5000	42	75	1.450	300	275	-	-	62
Spiral 20kV outdoor	9720002	400	5000	68	120	2.000	400	371	-	-	62
Spiral 35kV outdoor	9730002	700	5000	100	180	3.300	550	520	-	-	71
Round 10kV indoor	9710003	-	5000	-	75	1.000	230	200	-	-	45



STRAIGHT

SPIRAL

ROUND



Note: All insulators can be produced upon customer's special request