

Outdoor Vertical Disconnecting Switches

General information

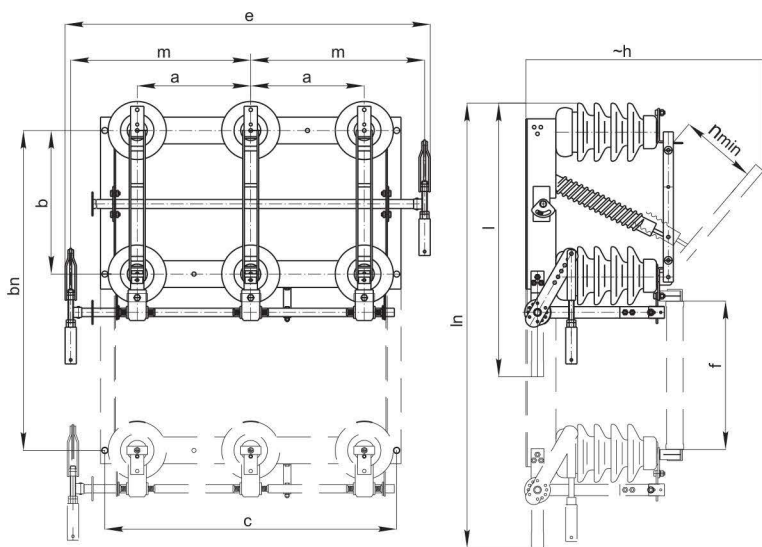
Type:	ROM
Class	air insulated
Standard	IEC 62271-102
Earthing	Yes
Mounting	outdoor, vertical
Insulators	porcelain, silicon
Operation	Manual hand drive RLZ 31

Tipology

ROM	Switch
ROMZk	Switch with earthing cable side
ROMP	Switch with fuse holders
ROMZkP	Switch with earthing cable side and fuse holders

Type	Order No	Rated voltage	Rated current	Short time current	Peak current	Test Voltage				Weight
						AC		Impulse		
						between current-carrying parts and earth	between open contacts	between current-carrying parts and earth	between open contacts	
Unit		kV	A	kAeff	kAmax	kV	kV	kV	kV	kg
ROM ROM	6612200	12	200	20	50	35	45	75	85	50
	6612400	12	400	20	50	35	45	75	85	50
	6612630	12	630	20	50	35	45	75	85	50
ROMZk ROM3k	6712200	12	200	20	50	35	45	75	85	60
	6712400	12	400	20	50	35	45	75	85	60
	6712630	12	630	20	50	35	45	75	85	60
ROMP ROMП	6812200	12	200	20	50	35	45	75	85	80
	6812400	12	400	20	50	35	45	75	85	80
	6812630	12	630	20	50	35	45	75	85	80
ROMZkP ROM3kП	6912200	12	200	20	50	35	45	75	85	90
	6912400	12	400	20	50	35	45	75	85	90
	6912630	12	630	20	50	35	45	75	85	90
ROM ROM	6624200	24	200	20	50	55	75	125	145	85
	6624400	24	400	20	50	55	75	125	145	85
	6624630	24	630	20	50	55	75	125	145	85
ROMZk ROM3k	6724200	24	200	20	50	55	75	125	145	100
	6724400	24	400	20	50	55	75	125	145	100
	6724630	24	630	20	50	55	75	125	145	100
ROMP ROMП	6824200	24	200	20	50	55	75	125	145	135
	6824400	24	400	20	50	55	75	125	145	135
	6824630	24	630	20	50	55	75	125	145	135
ROMZkP ROM3kП	6924200	24	200	20	50	55	75	125	145	150
	6924400	24	400	20	50	55	75	125	145	150
	6924630	24	630	20	50	55	75	125	145	150
ROM ROM	6636200	36	200	16	40	75	100	170	195	150
	6636400	36	400	16	40	75	100	170	195	150
	6636630	36	630	16	40	75	100	170	195	150
ROMZk ROM3k	6736200	36	200	16	40	75	100	170	195	165
	6736400	36	400	16	40	75	100	170	195	165
	6736630	36	630	16	40	75	100	170	195	165
ROMP ROMП	6836200	36	200	16	40	75	100	170	195	210
	6836400	36	400	16	40	75	100	170	195	210
	6836630	36	630	16	40	75	100	170	195	210
ROMZkP ROM3kП	6936200	36	200	16	40	75	100	170	195	225
	6936400	36	400	16	40	75	100	170	195	225
	6936630	36	630	16	40	75	100	170	195	225

Outdoor Vertical Disconnecting Switches



KV	Dimensions										
	a	b	bn	c	e	f	h	l	ln	m	nmin
	mm										
12	270	315	712	724	1153	295	620	800	1297	560	210
24	340	430	977	864	1350	445	820	1010	1557	658	310
36	550	635	1277	1285	2185	540	1140	1386	2028	1075	510